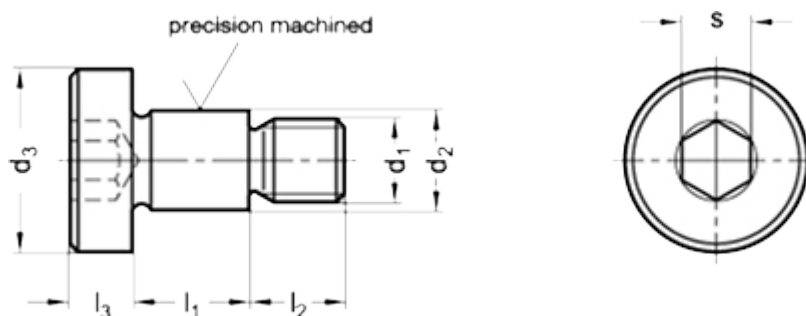


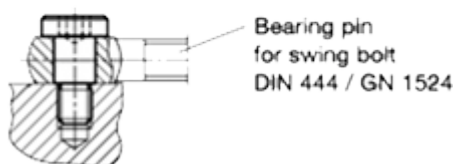
Article number: 207321M101212NI

Description: E+G Shoulder screw  
GN 732.1-M10-12-12-NI

## Measures



### Application example



$d_1$	= M 10
$d_2$	= 12 -0.05/-0.08
$d_3$	= 19
$l_1 + 0.20/+0.13$	= 12
$l_2$	= 13
$l_3$	= 6
$s$	= 6
Weight in (g)	= 18